



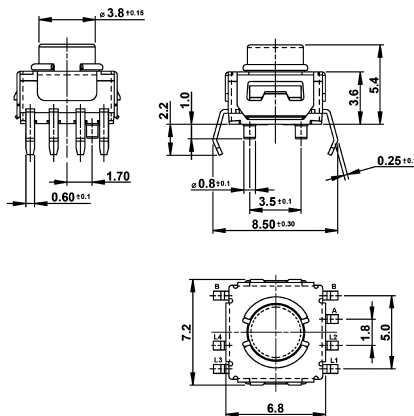
Illuminated Pushbutton Switches waterproof

Specifications:

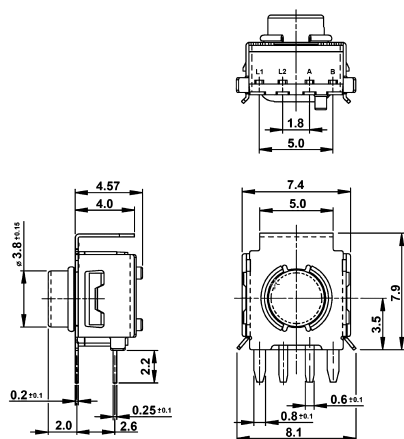
Contact rating:	12 V DC, 50 mA
Contact resistance:	< 100 mΩ
Insulation resistance:	> 100 MΩ
Dielectric strength:	250 V, 50 Hz for the duration of 1 minute
Operating temperature:	-40°C to +85°C
Operating force:	2 N ± 0.5 N
Mechanical life:	minimum 300 000 operations
Material:	Contacts: stainless steel, silver-plated, optionally gold-plated Terminals: Brass, silver plated, optionally gold-plated Case: PPA, white Actuator: silicone rubber
Protection:	IP 67
Mounting:	on pc-board

Models: Switching functions

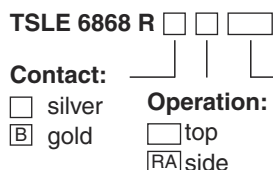
TSLE 6868 R WNN off – mom



TSLE 6868 R RA WA off – mom



Ordering Code:



LED:
Operation from top
 no LED
 RGB
 two LEDs
 one LED
Side-Operation
 no LED
 two LEDs
 one LED

x, y	Color
R	red
Y	yellow
G	green
B	blue
P	pure-green
A	amber
W	white